

Jeremiah Lighting

28012-SPZ

Please read carefully and save these instructions, as you may need them at a later date.

CAUTION

Turn off the main power at the circuit breaker before installing the fixture in order to prevent possible shock.

All electrical connections must be in accordance with local and National Electrical Code (N.E.C.) standards. If you are unfamiliar with proper electrical wiring connections, obtain the services of a qualified electrician.

GENERAL

Remove all parts and hardware from the box and the mounting package and make sure that none are missing by referencing the illustrations provided.

ASSEMBLY AND INSTALLATION

1. Pull the SUPPLY WIRES (8 & 10) and the SUPPLY GROUND WIRE (7) out from the OUTLET BOX (1) (not included) and attach the MOUNTING STRAP (2) assembly to the OUTLET BOX (1) using the slotted holes of the MOUNTING STRAP (2) and the OUTLET BOX SCREWS and WASHERS (3). [See Fig. 1]
2. Remove the THREADED RING (16) from the SCREW COLLAR LOOP (5) and set aside. Place the CANOPY (15) over the OUTLET BOX (1) and adjust the SCREW COLLAR LOOP (5) and THREADED ROD (14) until the midpoint of the outside threads on the SCREW COLLAR LOOP (5) is centered (aligned) with the surface of the CANOPY (15). Remove the CANOPY (15) and tighten HEX NUT (4) down on the MOUNTING STRAP (2) and the SCREW COLLAR LOOP (5). [See Fig. 1]
3. Slide the FIXTURE LOOP (19) down the fixture wires and then thread onto the threaded rod at the top of the FIXTURE (21) until tight. Pull the ARMS (20) so that they are evenly spaced. [See Fig. 2]
4. Attach one OPEN CHAIN LINK (18) to each end of the CHAIN (17). Then attach one end of the CHAIN (17) to the FIXTURE LOOP (19). Slide the THREADED RING (16) and the CANOPY (15) onto the CHAIN (17) (in that order) and attach the other end of the CHAIN (17) to the SCREW COLLAR LOOP (5). Close the OPEN CHAIN LINKS (18). [See Fig. 1 & 2]

5. Unravel the FIXTURE LEAD WIRES (9 & 11), FIXTURE GROUND WIRE (6) and SAFETY CABLE (22) and then thread them through every other link of the CHAIN (17) starting with the OPEN CHAIN LINK (18) attached to the FIXTURE LOOP (19). Feed the FIXTURE WIRES (6, 9 & 11) and SAFETY CABLE (22) through the SCREW COLLAR LOOP (5) and the THREADED ROD (14). Pull the FIXTURE LEAD WIRES (9 & 11) and the FIXTURE GROUND WIRE (6) upward to remove any excess slack. Find a secure attachment point (wood ceiling joist recommended) and secure SAFETY CABLE (22) with SAFETY CABLE VICE (23). [See Fig. 1]

6. Attach the power supply wires to the fixture lead wires by connecting the BLACK SUPPLY WIRE (8) to the SMOOTH FIXTURE LEAD WIRE (9) and the WHITE SUPPLY WIRE (10) to the RIBBED FIXTURE LEAD WIRE (11). Loop the SUPPLY GROUND WIRE (7) around the GROUND SCREW (13) on the MOUNTING STRAP (2). [Note: Be sure to provide an extra 3in. length of the SUPPLY GROUND WIRE (7) for connection to the FIXTURE GROUND WIRE (6).] Connect the remaining SUPPLY GROUND WIRE (7) to the FIXTURE GROUND WIRE (6). Use a WIRE CONNECTOR (12) for all wire connections. Push wiring and connections inside the OUTLET BOX (1). [See Fig. 1]

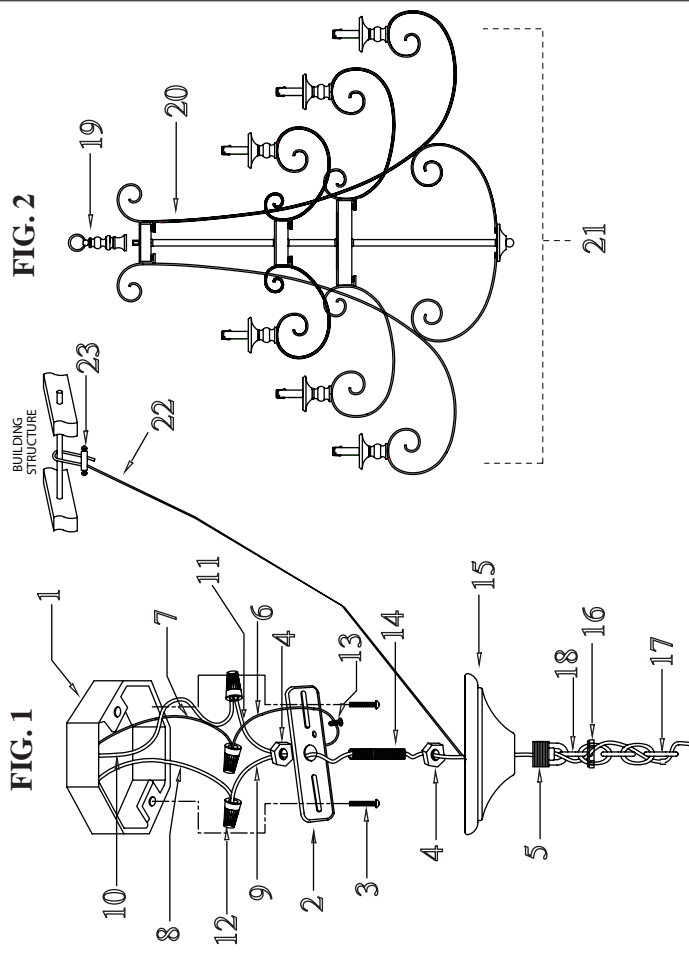
ASSEMBLY & INSTALLATION (Continued)

7. Slide the CANOPY (15) and the THREADED RING (16) up the CHAIN (17). Place the CANOPY (15) over the OUTLET BOX (1) and secure it by screwing the THREADED RING (16) onto the SCREW COLLAR LOOP (5). [See Fig. 1]

8. Install bulbs, MAXIMUM 40W each.

INSTALLATION IS NOW COMPLETE

SEVILLE



12-LIGHT CHANDELIER

- | | |
|---|---------------------------------|
| 1. OUTLET BOX (NOT INCLUDED) | 13. GROUND SCREW (pre-attached) |
| 2. MOUNTING STRAP | 14. THREADED ROD (pre-attached) |
| 3. OUTLET BOX SCREW and WASHER (pre-attached to outlet box) | 15. CANOPY |
| 4. HEX NUT (pre-attached) | 16. THREADED RING |
| 5. SCREW COLLAR LOOP (pre-attached) | 17. CHAIN |
| 6. FIXTURE GROUND WIRE | 18. OPEN CHAIN LINK |
| 7. SUPPLY GROUND WIRE (not included) | 19. FIXTURE LOOP |
| 8. BLACK SUPPLY WIRE (not included) | 20. ARM (pre-attached) |
| 9. SMOOTH FIXTURE LEAD WIRE | 21. FIXTURE |
| 10. WHITE SUPPLY WIRE (not included) | 22. SAFETY CABLE |
| 11. RIBBED FIXTURE LEAD WIRE | 23. SAFETY CABLE VICE |
| 12. WIRE CONNECTOR | |

Customer Service: 1 (800) 527-1292