



# 28038-SPZ

Please read carefully and save these instructions, as you may need them at a later date.

### CAUTION

Turn off the main power at the circuit breaker before installing the fixture in order to prevent possible shock.

All electrical connections must be in accordance with local and National Electrical Code (N.E.C.) standards. If you are unfamiliar with proper electrical wiring connections, obtain the services of a qualified electrician.

### GENERAL

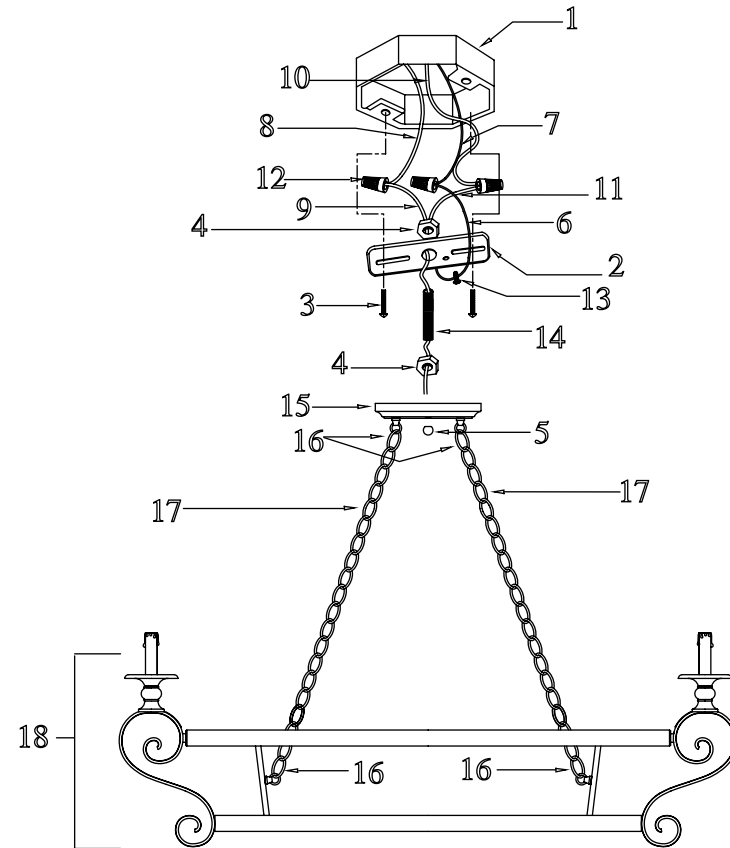
Remove all parts and hardware from the box and the mounting package and make sure that none are missing by referencing the illustrations provided.

### ASSEMBLY AND INSTALLATION

1. Pull the SUPPLY WIRES (8 & 10) and the SUPPLY GROUND WIRE (7) out from the OUTLET BOX (1) (not included) and attach the MOUNTING STRAP (2) assembly to the OUTLET BOX (1) using the slotted holes of the MOUNTING STRAP (2) and the OUTLET BOX SCREWS and WASHERS (3).
2. Remove the DECORATIVE NUT (5) from the THREADED ROD (14) and set aside. Place the CANOPY (15) over the OUTLET BOX (1) so that the THREADED ROD (14) protrudes out through the mounting hole located in the center of the CANOPY (15) no less than 1/4in. Remove the CANOPY (15) and secure the position of the THREADED ROD (14) by tightening the 1/8in. IPS HEX NUT (4) against the MOUNTING BRACKET (2).
3. Attach one OPEN CHAIN LINK (16) to each end of one of the CHAINS (17). Then attach one end of the CHAIN (17) to one of the loops on the CANOPY (15) and attach the other end of the CHAIN (17) to one of the small loops on the inside of the FIXTURE (18). Close the ends of the OPEN CHAIN LINKS (16). Repeat for other CHAINS (17).
4. Unravel both sets of FIXTURE LEAD WIRES (9 & 11) and the FIXTURE GROUND WIRE (6). Thread the FIXTURE WIRES (6, 9 and 11) through every other link of the CHAIN (17) closest to them, starting with the OPEN CHAIN LINK (16) attached to the FIXTURE (18). Thread the other FIXTURE WIRES (9 & 11) through every other link of the CHAIN (17) closest to them in the same way. Then gently push ALL the fixture wires through the THREADED ROD (14) and pull them upward to remove any excess slack.
5. Attach the power supply wires to the fixture lead wires by connecting the BLACK SUPPLY WIRE (8) to both of the SMOOTH FIXTURE LEAD WIRES (9) and the WHITE SUPPLY WIRE (10) to both of the RIBBED FIXTURE LEAD WIRES (11). Loop the SUPPLY GROUND WIRE (7) around the GROUND SCREW (13) on the MOUNTING STRAP (2). [Note: Be sure to provide an extra 3in. length of the SUPPLY GROUND WIRE (7) for connection to the FIXTURE GROUND WIRE (6).] Connect the remaining SUPPLY GROUND WIRE (7) to the FIXTURE GROUND WIRE (6). Use a WIRE CONNECTOR (12) for all wire connections. Push wiring and connections inside the OUTLET BOX (1).
6. Place the CANOPY (15) back over the THREADED ROD (14) and secure it in place with the DECORATIVE NUT (5) provided.
9. Install bulbs, **MAXIMUM 40W** each.

INSTALLATION IS NOW COMPLETE

### SEVILLE



### 8-LIGHT POT RACK

- |  |                                      |
|--|--------------------------------------|
| 1. OUTLET BOX (NOT INCLUDED)                                   | 10. WHITE SUPPLY WIRE (not included) |
| 2. MOUNTING STRAP  | 11. RIBBED FIXTURE LEAD WIRE         |
| 3. OUTLET BOX SCREW and WASHER<br>(pre-attached to outlet box) | 12. WIRE CONNECTOR                   |
| 4. HEX NUT (pre-attached)                                      | 13. GROUND SCREW (pre-attached)      |
| 5. DECORATIVE NUT (pre-attached)                               | 14. THREADED ROD (pre-attached)      |
| 6. FIXTURE GROUND WIRE   | 15. CANOPY                           |
| 7. SUPPLY GROUND WIRE (not included)                           | 16. OPEN CHAIN LINK                  |
| 8. BLACK SUPPLY WIRE (not included)                            | 17. CHAIN                            |
| 9. SMOOTH FIXTURE LEAD WIRE                                    | 18. FIXTURE                          |

Customer Service: 1 (800) 527-1292