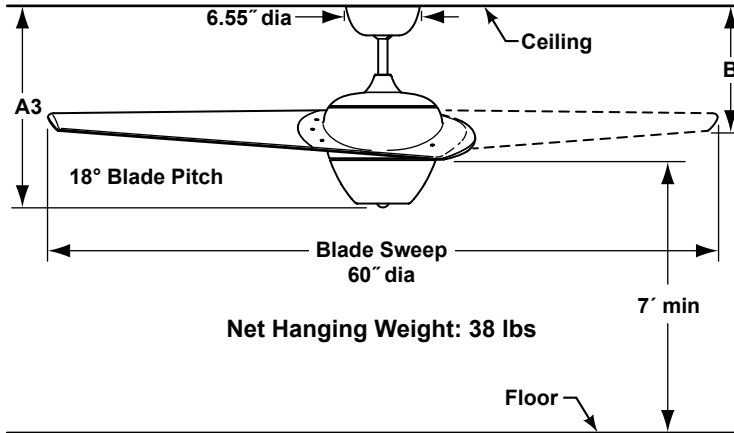


ENIGMA®

FP2120** -220 Ceiling Fan



	A	B
Fan w/6" downrod	17.53"	11.02"
Fan w/12" downrod	23.53"	17.02"
Fan w/18" downrod	29.53"	23.02"
Fan w/24" downrod	35.53"	29.02"
Fan w/36" downrod	47.53"	41.02"
Fan w/48" downrod	59.53"	53.02"
Fan w/60" downrod	71.53"	65.02"
Fan w/72" downrod	83.53"	77.02"

Available Finishes

MG	Metro gray (Damp)
RB	Red/blue iridescent (Damp)
WA	Metro Gray with walnut wood blade

***Custom Finishes are available by special order only. Contact technical support for more information*

TUV/GS Efficiency Info (220V)

Fan Speed	Max RPM	Amps	Watts
High	164	0.43	50
Med	99	0.34	22
Low	62	0.26	11

INSTALLATION REQUIREMENTS:

Ceiling fan must be secured to a structural member, such as a ceiling joist, capable of withstanding a load of at least 50 lbs. A 3/8" x 5" long lag bolt passes through loop in ceiling support cable, hanger bracket plate, and into wood structural member above.

ELECTRICAL REQUIREMENTS:

Requires a grounded electrical supply line of 220~240 volts AC, 50 Hz, 5 amp circuit.

MOTOR SPECS:

188 x 18-220 motor is designed for optimal performance with this fan.

CONTROL OPTIONS:

TR4WH-220 hand-held remote control with canopy-style receiver unit (RECAN34) is included. Push-button remote control has 3 speeds, downlight controls and off button. Optional C1-220, C2-220, C3-220 and C6-220 wall controls, CRL8TS-220 hand-held remote control are available—sold separately. See our catalog or visit www.fanimation.com for more information. Instructions are provided with each control.

LIGHTING OPTION:

Single built-in downlight socket uses PAR 30 short-neck, 75 watt max., halogen bulb (not included).

DOWNROD OPTIONS:

Fan comes with a 1" dia. x 6" long downrod (DR1-6). Optional downrods available in 12", 18", 24", 36", 48", 60" and 72" lengths. Fan can be mounted on a sloped ceiling up to *30°. Most sloped ceiling installations require a downrod longer than the standard 6" downrod. Optional sloped ceiling ball kits (SCB1-52) are available for slope angles greater than 30° and up to 52°. Optional close-to-ceiling kit is available as well-sold separately. Call technical support for more information.

LOCATION USE:

FP2120MG-220 & FP2120RB-220 are dry and damp location rated. FP2120WA-220 is dry location rated only

*Minimum Pole Lengths for Sloped Ceilings

Degrees / Pitch	Minimum Pole Length	Blade Tip to Ceiling Dimension
18° / 4 - 12 pitch	12" (DR1-12**)	6 1/2"
27° - 30° / 6 - 12 to 7 - 12	18" (DR1-18**)	4 1/2"